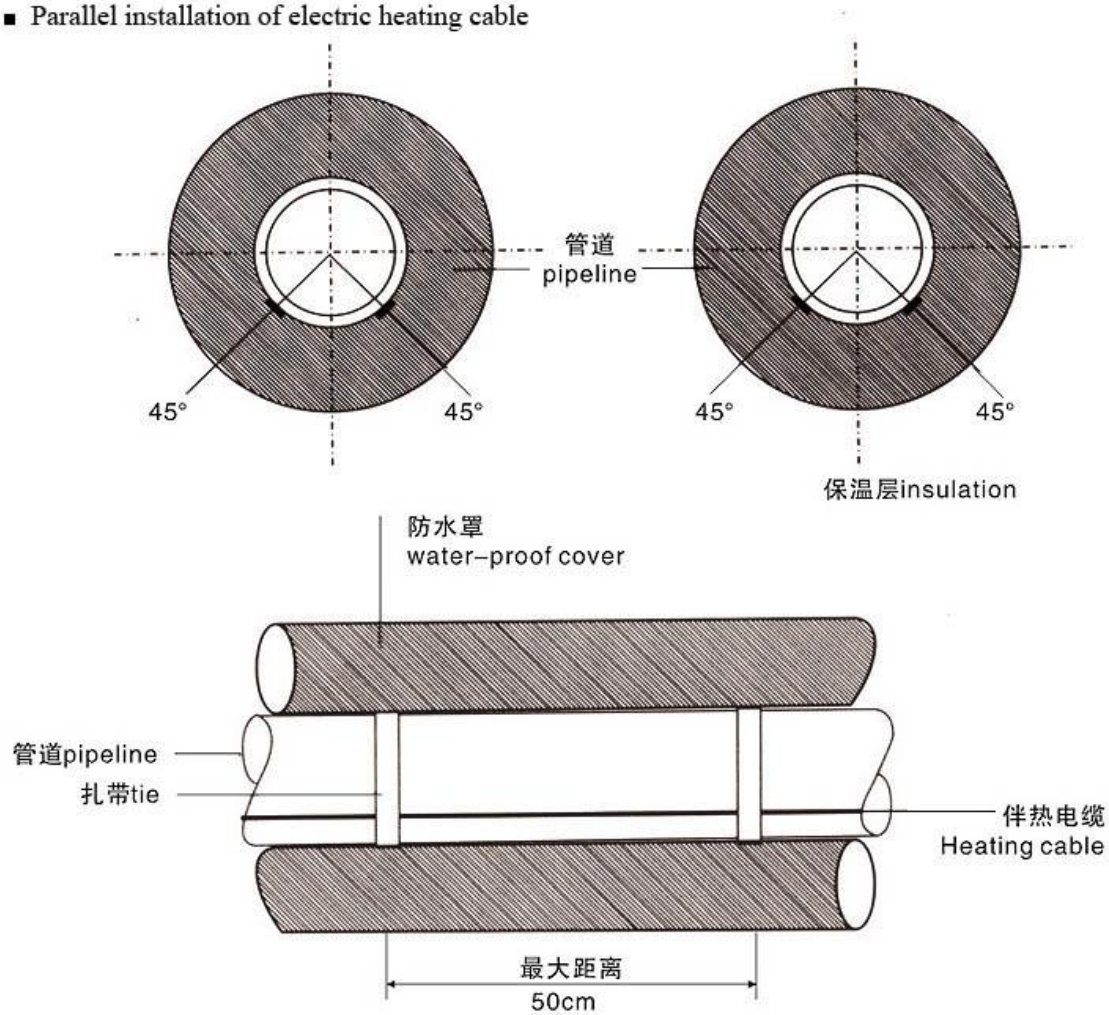


Schematic diagram of common electric heating cable installation methods?

Electric heating cable installation requires professionals to operate. Whether it can be installed correctly will directly affect the normal operation of the electric heating cable system and the effect of heat tracing. For common installation requirements, we use the installation picture diagram to describe the correct way to install the electric heating cable. The following sets of installation example diagrams are suitable for self-limiting temperature electric heating cable, constant power electric heating cable, heating cable and other related electric cables Thermal products, To understanding [Heat Trace cable Selection and calculation](#) .

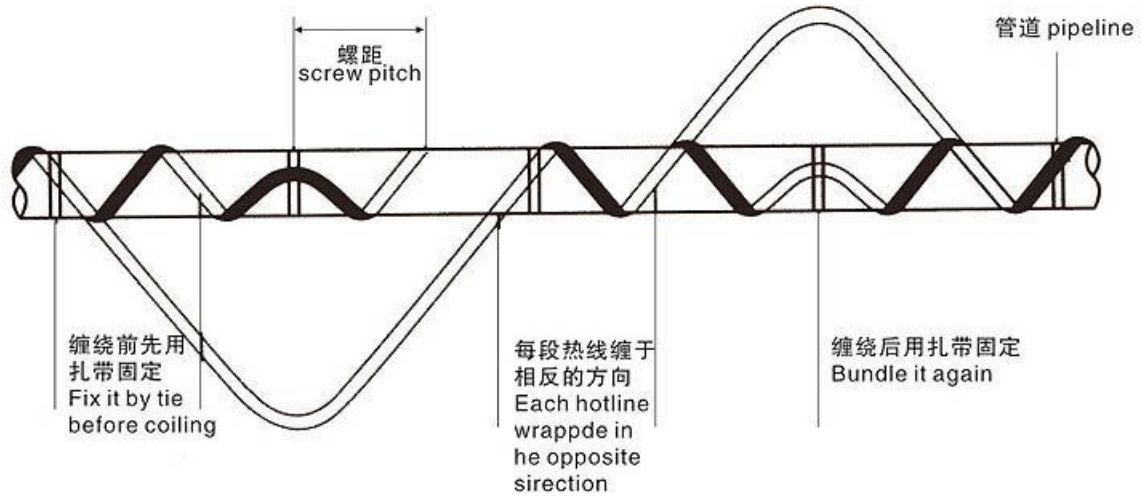
1, Common pipeline laying method: parallel and straight laying, suitable for anti-freezing and thermal insulation of water pipes of small diameter pipelines

■ Parallel installation of electric heating cable



2,Common pipeline laying method: winding laying, suitable for medium to maintain high temperature, or large-diameter pipeline antifreeze and heat preservation

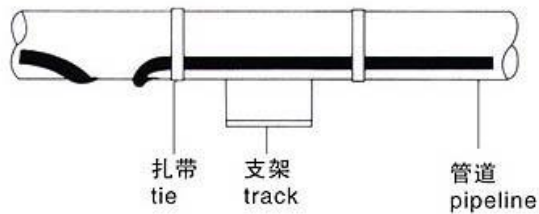
■ Electric heating cable winding installation



3,The pipe bracket has a large heat dissipation capacity, so be prepared to wind a few more turns to make up for the heat dissipation capacity of the bracket

■ 管道支架安装

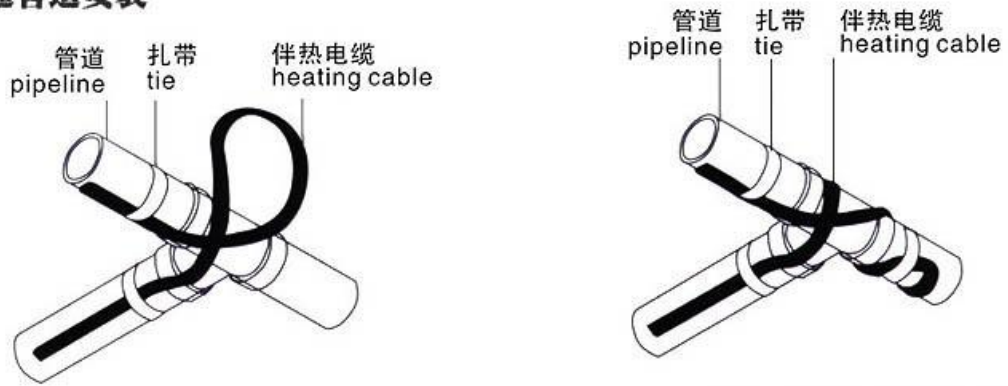
侧图sideview



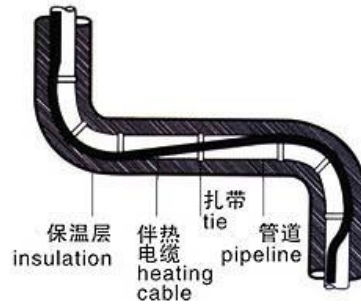
剖面图profile map



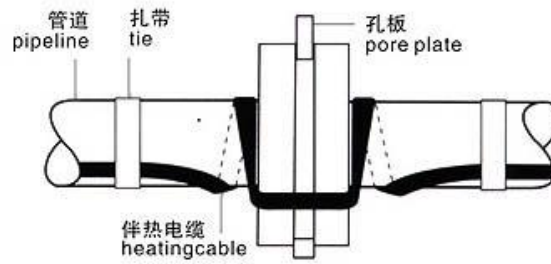
■ 三通管道安装



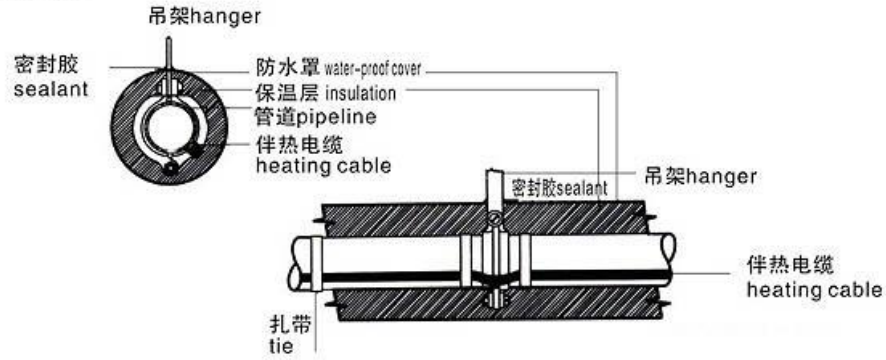
■ 管道弯头安装



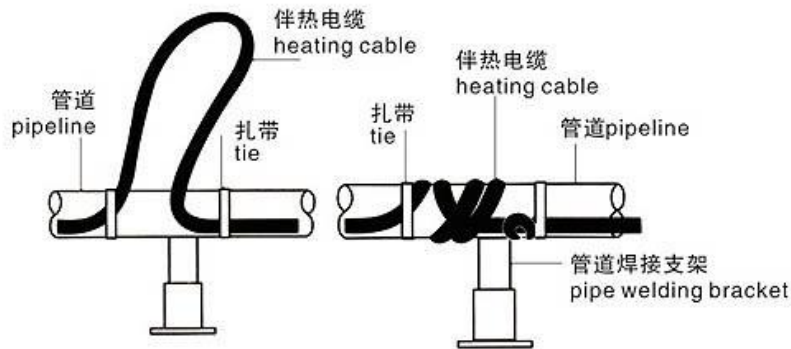
■ 管道孔板安装



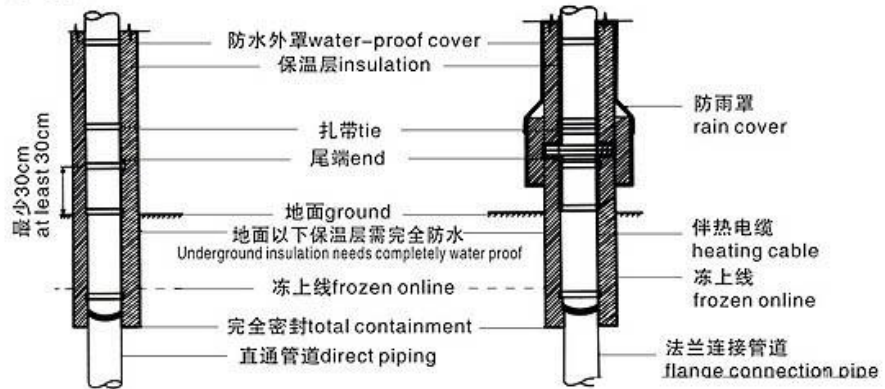
■ 管道吊架安装



■ 管道焊接支架安装



■ 地面上管道安装



The pressure pipe valve has a large amount of heat dissipation, so it needs to be wound

■ 压力仪表安装

