

Heating cable FJH explosion-proof two-way junction box Straight junction box is used for the connection of electric heating cable and electric heating cable in explosion-proof area, increasing the length of heating cable or using different power heating cables and three-pronged pipeline on the same pipeline. It has straight explosion-proof junction box and explosion-proof mark. "EII T4", when matched with heating cables, is suitable for explosive gas mixtures in Zone 1 and Zone 2 of the factory. The shell is made of high-strength plastic,[Power Junction Box](#) .

Heating cable FJH explosion-proof two-way junction box Straight junction box Technical performance

Model: FJH

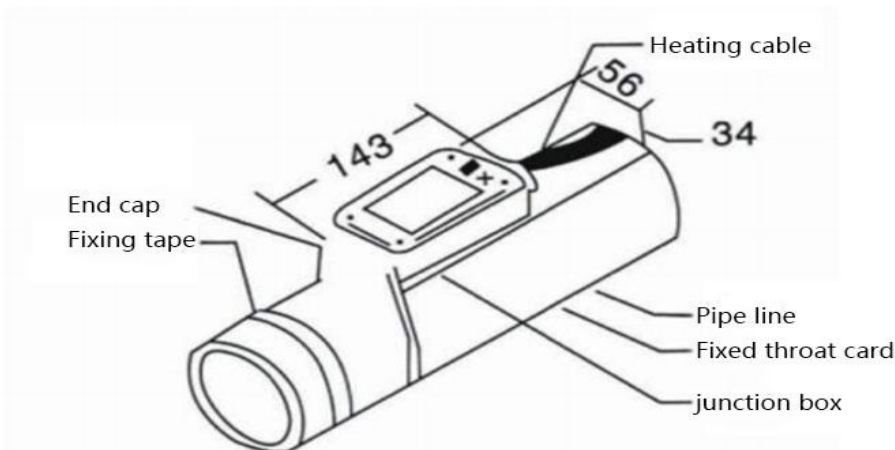
Protection level: IP65

Rated current: 40A

Rated voltage: 220V/380V

Explosion-proof mark: ExdIICT4

Heating cable FJH explosion-proof two-way junction box Straight junction box Wiring



FJH explosion-proof two-way junction box Appearance display

